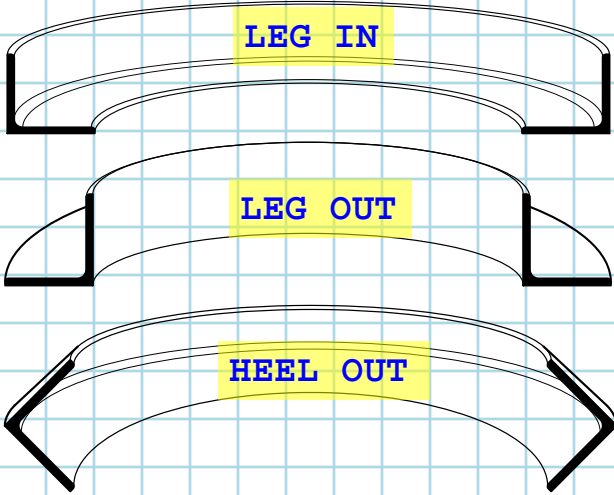
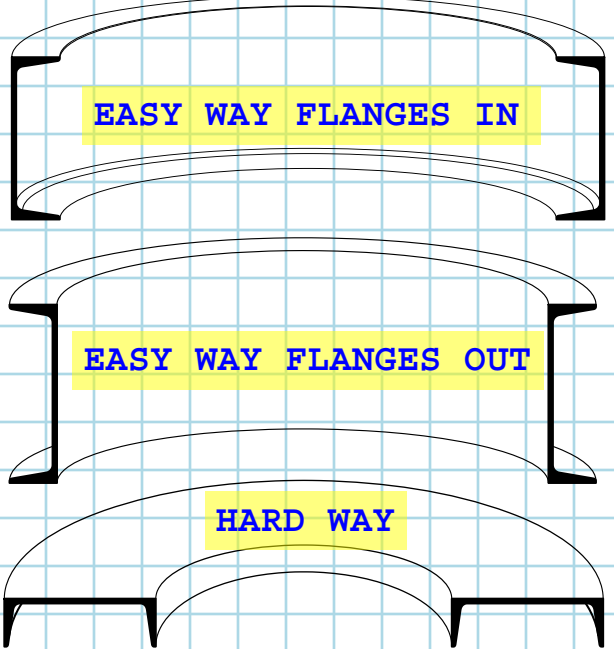


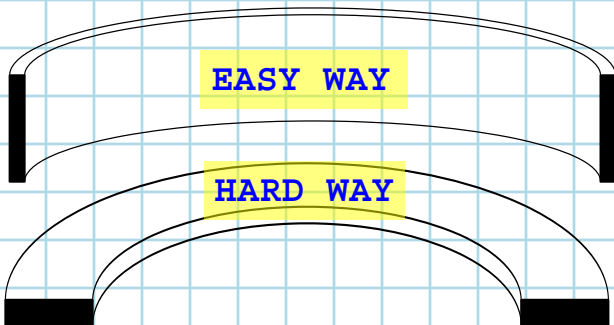
ANGLE (L)



CHANNEL (C, MC)

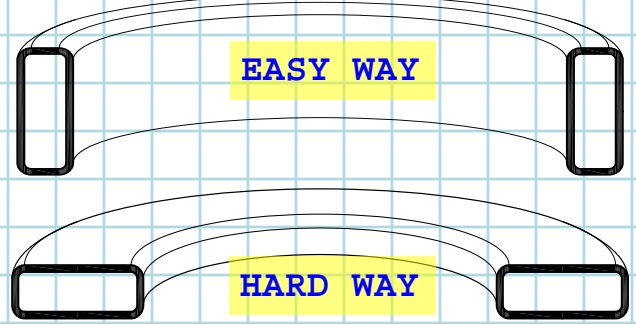


FLAT BAR (FB)

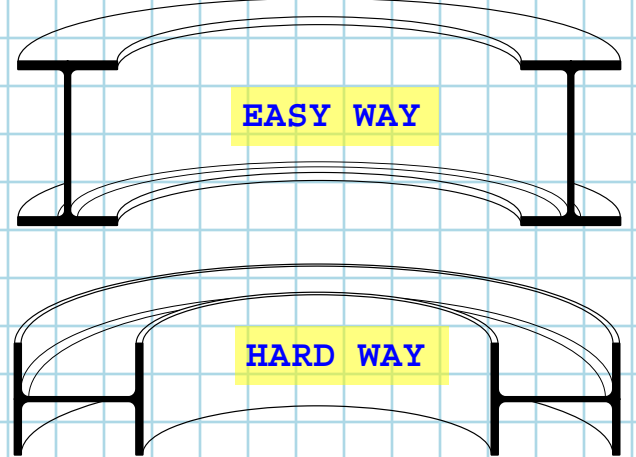


PROFILE ROLLING GUIDE

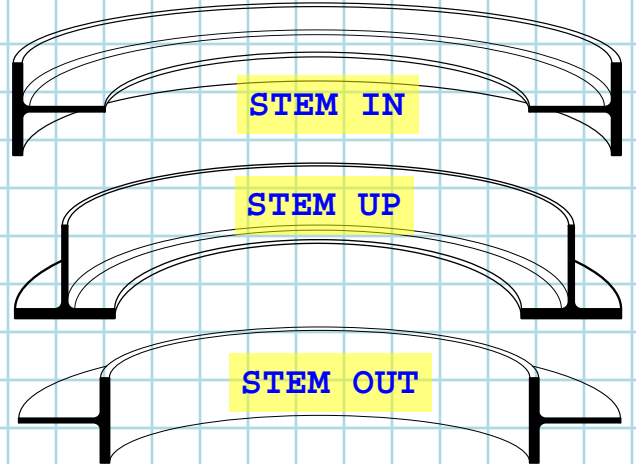
RECT. TUBE (HSS)



BEAM (WF, S)



TEE



Z

